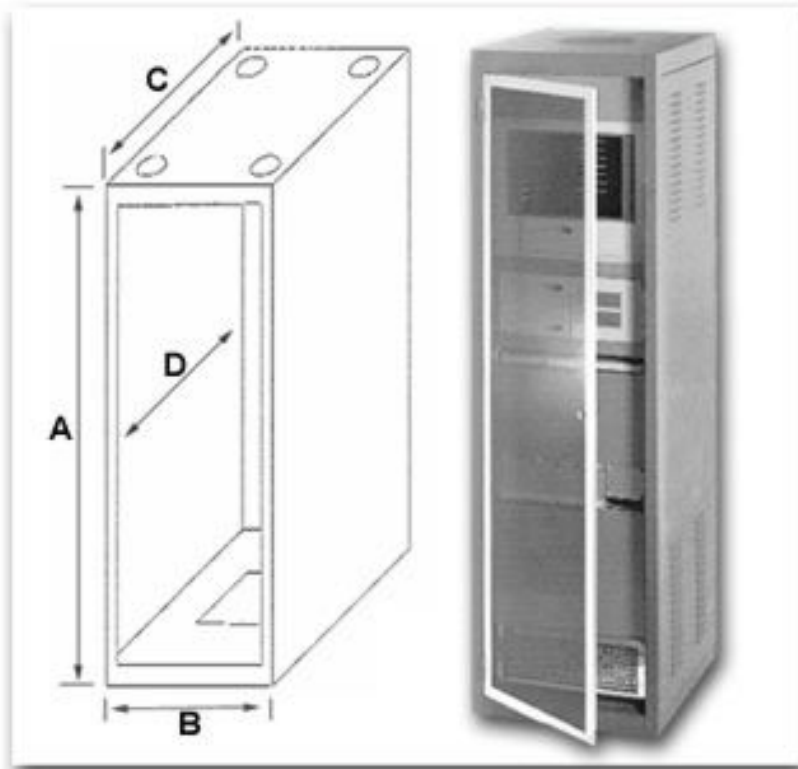




Large Cabinet Racks  
**Turn Key Cabinet  
Assemblies**



## Design Features

\*Welded steel cabinet rack similar to Economizer with louvered side panels and rear door, ventilated top suitable for FN-1282 exhaust fan.

\* Accept 19" E.I.A. width panels.

\*1200# equipment load capacity.

\*Four 4.00" diameter cable access holes in the top and one 9.56" square hole in the base.

\* Installed Locking Econoglas front door.

\*Two pairs of installed full height panel mounting rails. (Use #7346 screws - order separately)

\* Style A includes two SH-2385 ventilated shelves

\*Style B includes leveler kits

## Finishes

Style A: Sand Texture (S), Black Texture (BT), Royal Blue Texture (RB) are standard.

Style B: Black Textured (BT) and White Textured (WH) are standard. Both styles are available in other Bud textured finishes at no extra cost.

Turn-Key Cabinet Assembly								
Catalog Number	Style	Drawings	Panel Space Height	Max. Clear Inside Depth D	Overall Dimensions			Weight lbs.
					Height A	Width B	Depth C	
DC-8002	A		70.00"	24.00"	75.31"	22.00"	25.50"	208
DC-8075	B		70.00"	24.00"	75.31"	22.00"	25.50"	208
DC-8076	B		78.75"	24.00"	84.06"	22.00"	25.50"	215
DC-8078	B		78.75"	29.25"	84.06"	22.00"	30.75"	229



PART NAME

MISSION CRITICAL CABINET

PART No.

DC-8075

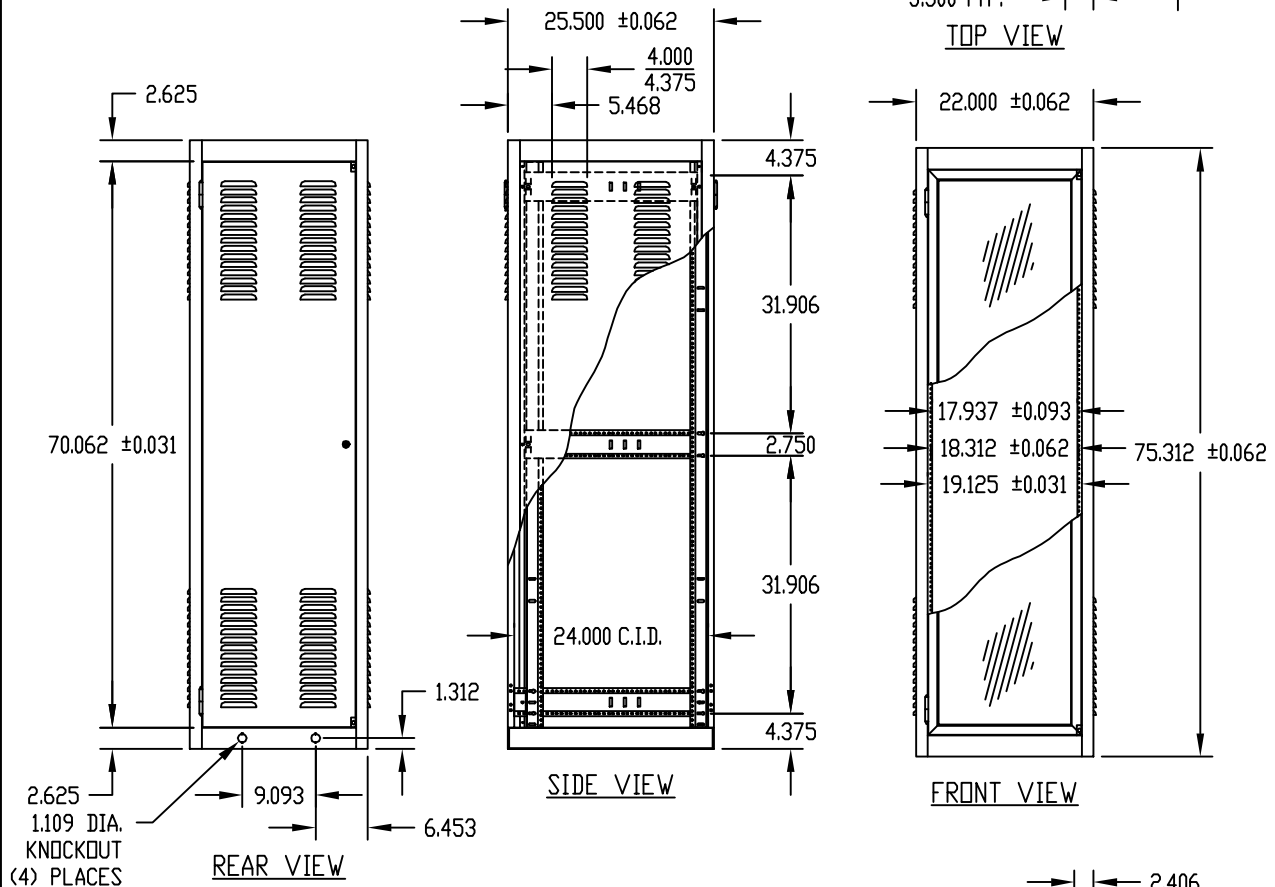
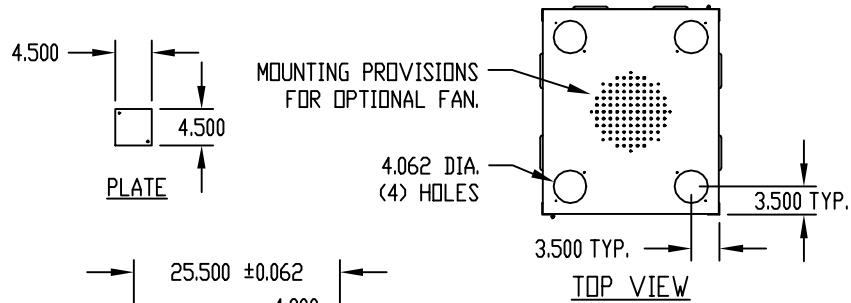
**MATERIAL:**

SIDES & REAR DOOR \_\_\_\_\_ 20 GA. STEEL  
 REAR DOOR STIFFENER \_\_\_\_\_ 18 GA. STEEL  
 TOP, BOTTOM, RAIL SUPPORTS, PLATES  
 & DOOR STOPS \_\_\_\_\_ 16 GA. STEEL  
 VERTICAL RAILS \_\_\_\_\_ 14 GA. STEEL  
 PANEL MOUNTING RAILS  
 & LEVELER MOUNTING BRACKETS \_\_\_\_\_ 12 GA. STEEL  
 PLEXIGLAS DOOR FRAME \_\_\_\_\_ ALUMINUM EXTRUSION  
 PLEXIGLAS PANEL \_\_\_\_\_ 3/16" THICK

**FINISH:**

FRAME ASSEMBLY, SIDES, PLATES,  
 REAR DOOR & REAR DOOR HINGES \_\_\_\_\_ WHITE TEXTURE  
 \_\_\_\_\_ BLACK TEXTURE  
 \_\_\_\_\_ METALLIC GRAY  
 PLEXIGLAS DOOR HINGES \_\_\_\_\_ METALLIC GRAY  
 PANEL MOUNTING RAILS, DOOR STOPS  
 & LEVELER MOUNTING BRACKETS \_\_\_\_\_ SMOOTH BLACK  
 PLEXIGLAS DOOR FRAME \_\_\_\_\_ CLEAR ANODIZED  
 PLEXIGLAS PANEL \_\_\_\_\_ SMOKE GRAY

LOAD RATING: 1200 LBS. MAX.



**NOTES:**

- ① PANEL MOUNTING RAILS TAPPED #10-32 ON E.I.A. UNIVERSAL SPACING AND ARE FULLY ADJUSTABLE.
- ② MOUNTING HOLES PIERCED IN BASE FOR #RL-7770 LEVELER KIT. LEVELER KIT WILL RAISE CABINET RACK APPROXIMATELY 1.188 INCHES OFF THE FLOOR.
- ③ LEVELER KIT TO BE SHIPPED UNASSEMBLED, PACKED INSIDE RACK.
- ④ SIDES SHIPPED ASSEMBLED WITH TEMPORARY NYLON PUSH FASTENERS. CUSTOMER TO DO FINAL ASSEMBLY WITH #7346 SCREWS AND #295 NUT RETAINERS PROVIDED IN HARDWARE.

9.561 SQUARE CUTOUT

